

CAVIUS™

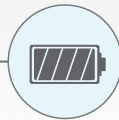
THE WORLDS
SMALLEST
HEAT
ALARM



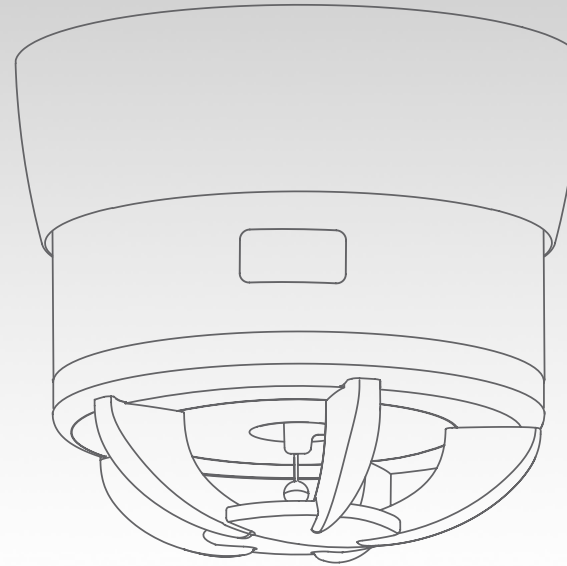
DANISH
DESIGN



10 YEAR
BATTERY



100%
TESTED



10 YEAR
HEAT
ALARM

PRODUCT TYPE: HEAT DETECTOR DEVICE

PRODUCT NUMBER: 3002-TK001

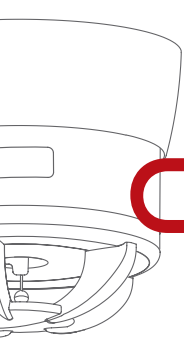


reddot design award
honourable mention 2013



DESIGN
AWARD
2015





CAVIUS™

PRODUCT TYPE: HEAT DETECTOR DEVICE

PRODUCT NUMBER: 3002-TK001

PRODUCT DATA:

HEAT ALARM TYPE:

Optical Heat Alarm Device.

USAGE:

Designed for installation in private homes or garages with risk for smoky, dusty, or humid or environment, as for example kitchen area, living room with wooden stove burner, garage area.

ISOTOPE ACTIVITY:

Absence of radioactive substances.

OPERATION AC/DC:

DC

BATTERY TYPE:

3V CR123 Lithium battery, 1600mAh (non-replaceable).

POWER CONSUMPTION:

For 1 year in the non alarm condition, the battery consumption is 93mAhour.

BATTERY LIFE:

Minimum 10 year life in normal operating condition. (Based on a weekly testing).

LOW BATTERY INDICATION:

A short acoustic "beep" will sound and LED flash every 48 seconds when the voltage is below 2.85V. In this stage it will continue for minimum 30 days, and can drive the alarm for 4 minutes.

NORMAL OPERATION:

LED flashes every 48 second for normal operation.

SOUND:

Audible indicator min. 85 dB @ 3 meter.

SOUND PATTERN:

Fire alarm condition is indicated by a series of three successive tones.

VISIBLE INDICATOR:

A red LED is used to indicate the following conditions:

- fire alarm condition is indicated by a flash every 0.5 seconds.
- normal operation is indicated by a flash every 48 seconds.

PUSH BUTTON:

The heat sensor includes a push button switch. This button has the following functions:

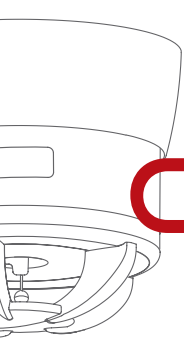
- test – when not in alarm the sounder can be activated to provide a sensor OKtest function. While the button is pressed, the audible and visible indicators are activated if the sensor is OK.

WARRANTY:

1 year

PRODUCT WEIGHT (GR):

43 g (excluding screws, plugs and mounting base).



CAVIUS™

PRODUCT TYPE: HEAT DETECTOR DEVICE

PRODUCT NUMBER: 3002-TK001

PRODUCT DATA:

OPERATING TEMPERATURE:

-10°C to +38°C (tested from 0 degrees to 55 degrees).

OPERATING HUMIDITY:

Up to 95% RH non-condensing.

DETECTION TIMING:

The alarm makes an optical reading every 8 seconds. At unusual readings (going into alarm stage), the readings are taken every 2 seconds.

INSTALLATION POSITIONS:

Ceiling. Not recommended for wall use. Set of 2 x screws and 2 x plugs included.

APPROVALS:

Tested according to EN54-5
EN60065
ROHS
REACH

CE TESTING INSTITUTE:

ITS/CNPP

AWARDS:

Red Dot 2013 Design Awards



reddot design award
honourable mention 2013

IF 2015 Design Award



ASSOCIATIONS:

Cavius is member of GIFSID, manufacturers' association of domestic fire safety equipment

STORAGE TEMPERATURE:

-20°C to +60°C

STORAGE HUMIDITY:

Up to 93% RH non-condensing.

QUALITY ASSURANCE:

SOUND LEVEL:

100% tested in special designed sound chamber.

POWER CONSUMPTION:

100% tested

BATTERY VOLTAGE AND INTERNAL RESISTANCE:

100% tested

ALARM FUNCTION:

100% tested

VISUAL APPEARANCE:

100% tested

PACKING CONTENT:

100% tested

CONTACT

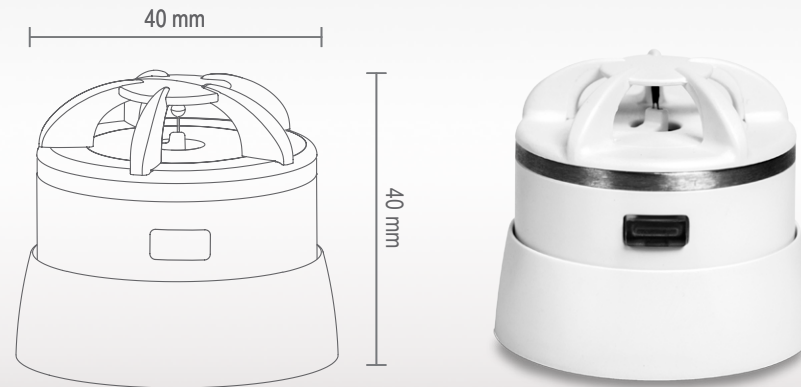
www.cavius.com

MANUFACTURER

Manufacturer: Cavius Aps, DK8600

CAVIUS™

THE WORLDS
SMALLEST
HEAT
ALARM



PRODUCT TYPE: HEAT DETECTOR DEVICE

PRODUCT NUMBER: 3002-TK001

DISTRIBUTOR: